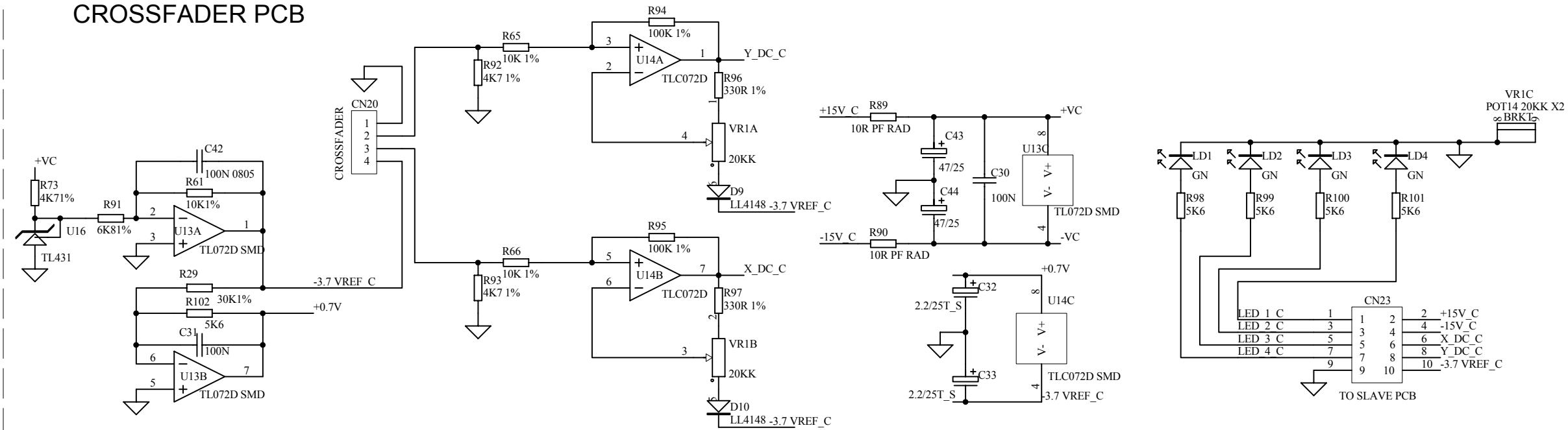


# CROSSFADER PCB



**ALLEN&HEATH**  
 Kernick Industrial Estate,  
 Penryn, Cornwall,  
 England. TR10 9LU  
 Tel: +44 (0)8707 556250  
 Fax: +44 (0)8707 556251

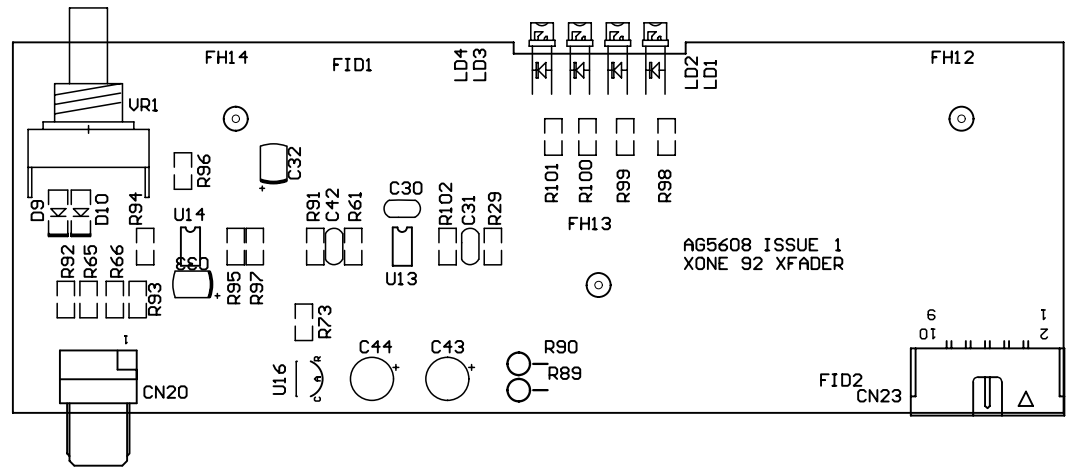
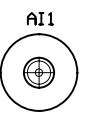
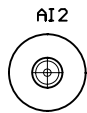
ISSUE	BY	DATE	CHK BY
1	ARJ	07-11-03	

A11	A12	FID1	FID2	FH12	FH13	FH14
○	○	○	○	○	○	○

FILE: AG5608 CROSSFADER PCB ISS 1.SCH

TITLE:	XONE 92 CROSSFADER PCB		
PAGE:			
DRG No:	C5608	ISSUE:	1
SHEET:	1 OF 1		

PRINTED: 16:31:51 12-Feb-2004



Mechanical Drawing .GTD-