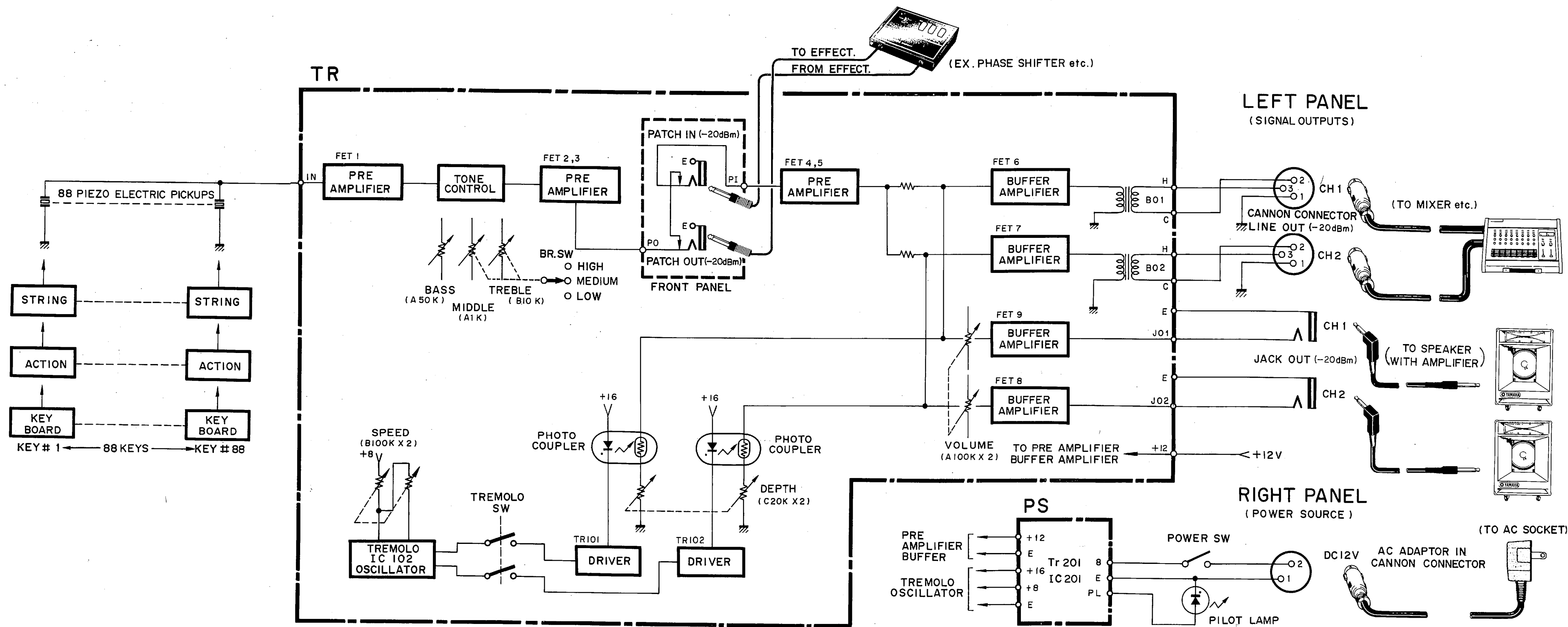


CP-80 BLOCK DIAGRAM



AC ADAPTORS

- JAPANESE MODEL : GA50061 AC100V 50/60Hz
- U.S. and CANADIAN MODEL : GA50063 AC120V 60Hz
- AUSTRALIAN and S. AFRICAN MODEL : GA50065 AC220V 50/60Hz with Primary Cord
- EUROPEAN MODEL : GA50066 AC220V 50Hz
- GENERAL EXPORT MODEL : GA50069 AC220 ~ 240V 50/60Hz with Plug U.S. CANADIAN MODEL Type